



Maxi play structure Lisbona Village. Certificate in accordance with European Standards EN 1176 by the German TÜV - SÜD.
Structure made of wood laminated pine timber pressure treated with non-toxic salts. Components: N°4 towers with wooden poles section 9x9 cm equipped with a gable roof and protective panels in polyethylene PEHD 1 cm thick pantographed without sharp edges. Dim cm 100x100x315 h. N°1 angled access ladder with rungs Ø 45 mm . N°2 slides in rotomolded coloured high-density polyethylene h 134 cm . Alternatively, it can be installed a slide with lateral support in wood and steel ramp or a slide in fiberglass or a polyethylene tunnel slide. N°1 wobble bridge made of Nordic Pine wood, supported by 2 hot-dip galvanized steel crossbows, equipped with handrails and safety rails. N°1 rope bridge. N°1 tunnel with a structure made of wood and galvanized steel, baked finishing at 180°. N° 1 Swedish ladder with parallel bars made of Iroko Ø 45 mm. N ° 1 climbing nylon rope net with steel wire armoured core and coloured nylon junctions. All wood components are treated with non-toxic high-coloured penetrating stain, water dilutable. Assembly system with 8.8 galvanized steel bolts and self-locking nuts. Colored nylon cap nuts as required by law. Hot-dip galvanised metal brackets for ground anchoring system.

 cm 902x410x315h
INGOMBRO MAX

 200
ALTEZZA CADUTA

 **CERTIFICATO EN 1176**

 3-12
ETÀ D'USO

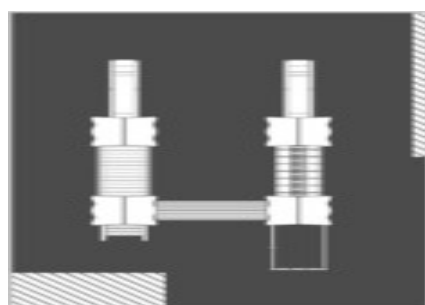
 7 h
TEMPO DI ASSEMBLAGGIO

 27
NUMERO UTILIZZATORI

 cm 1300x750
SPAZIO MINIMO

 m² 91,00
AREA IMPATTO

Planimetria / Planimetry



Opzione scivoli / Slide options

